



Key Features

The TAIT Nano Winch is a lightweight, flexible, single-point winch developed for touring and permanent installations.

The Winch upholds the highest safety standards in the industry by complying with the UL1340 and with the BGV-C1 hoist safety standards.

Standard safety features include dual brakes to achieve a maximum safety factor of 10:1, and limit settings to ensure positional accuracy.

Transmits power and four-channel LED control “down the line” for dynamic light displays.

The Nano Winch is compatible with TAIT Navigator, ensuring safe and dynamic operation in any production.

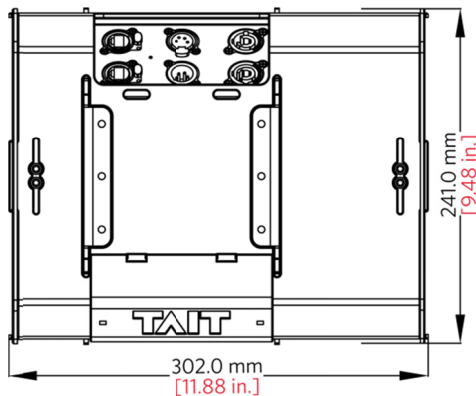
Description

The TAIT Nano Winch is a compact, fixed, single-point hoist featuring a conductive ribbon that transmits power and LED control down the line to a connected fixture. The Winch raises and lowers a 4.50-kg (10.0-lb) load at a maximum speed of 3.05 m/s (10.0 ft/s). Dual brakes and over-travel limits provide safe and secure lifting at full load and at maximum speed.

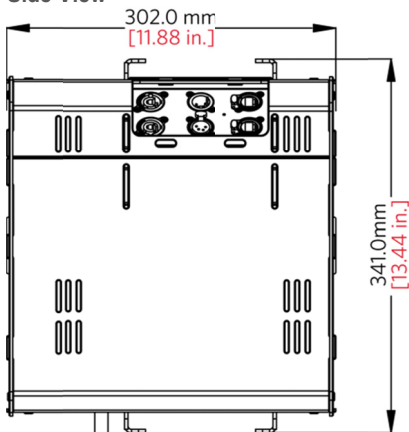
The Winch can be used individually or in arrays for dramatic moving light displays. The Nano Winch is fully compatible with TAIT Navigator and can be programmed using 3D animation software with rigged models to perform intricate and precise movements while maintaining complete control of the load.

Dimensions

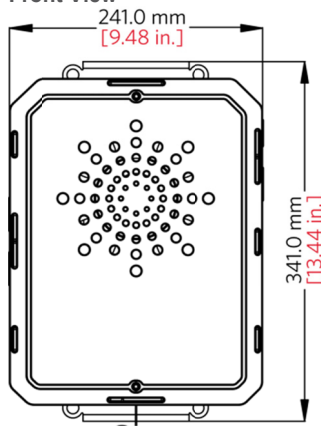
Top View



Side View



Front View



Specifications

| | |
|------------------------|--|
| Electrical | |
| Motor Phase | 1PH + PE |
| Input Voltage | 200–240 VAC |
| Power | 400 W |
| Current | 2 A |
| Connections | |
| Power | PowerCON |
| Safety | XLR 4-Pin |
| Control (Nav:COM) | EtherCON |
| Mechanical | |
| Load Capacity | 4.53 kg (10.0 lbs) |
| Load Speed | Intermittent Duty: 3.05 m/s (10.0 ft/s) Constant Duty: 1.52 m/s (5.0 ft/s) |
| Acceleration | Intermittent Duty: 3.05 m/s ² (10.0 ft/s ²) Constant Duty: 1.52 m/s ² (5.0 ft/s ²) |
| Stroke | 18.25 m (60.0 ft) |
| Cat-0 Estop | 25.04 kg (55.20 lbs), maximum tension |
| Construction | |
| Dimensions (L x W x H) | Nano Winch only: 241.0 mm x 302.0 mm x 341.0 mm (9.48 in. x 11.88 in. x 13.44 in.) Nano Winch with clamp: 241.0 mm x 302.0 mm x 440.0 mm (9.48 in. x 11.88 in. x 17.32 in.) |
| Self Weight | 13.60 kg (30.0 lbs) |
| Certifications | |
| Hoist Standard | UL1340 BGV-C1 |
| Entertainment | ANSI E1.6-1 – 2012 BS 7905-1 |
| Accessories | |
| Clamp | Various fastening devices available for specific mounting applications. |